



7/16 F/M In/Out Bulkhead Coax RF Surge Protector, 698MHz - 2.7GHz, DC Pass, 1000W, IP67, 20kA, Filter, Low PIM -155 dBc

RF Surge Protectors Technical Data Sheet

PE73SP1005

Features

- Surge current of 20kA
- Max Power 1000W
- Frequency range from 698 MHz to 2.7 GHz
- Waterproof IP67 rated
- 7/16 DIN female connector to 7/16 DIN male connector
- DC Pass
- Low PIM
- VSWR <1.2:1
- Low insertion loss
- CE & RoHS compliant

Applications

- Cellular communication systems
- Public safety systems
- Emergency response systems
- Industrial

Description

RF surge protector (also known as lightning arrester) PE73SP1005 from Pasternack utilizing a patented spiral inductor design enables an almost instantaneous response to a lightning surge to protect critical hardware while maintaining the RF performance. This RF surge protector component is manufactured in a coaxial in-line design with wide operating frequency range. All Pasternack RF surge protector products are available in stock with same day shipping.

Electrical Specifications

Surge Protector Type
DC Handling

Surge Filter
DC Pass

Description	Minimum	Typical	Maximum	Units
Frequency Range	0.698		2.7	GHz
Impedance		50		Ohms
VSWR			1.2:1	
Return Loss			20	dB
Insertion Loss			0.1	dB
Passive Intermodulation			-155	dBc
Input Power, CW @ 920 MHz			1	KWatts
Surge Current IEC 61000-4-5 8/20µs WAVEFORM			20,000	Amps
Throughput Energy FOR 2kA IEC 61000-4-5 8/20µs WAVEFORM			25,000	µJ

Click the following link (or enter part number in "SEARCH" on website) to obtain additional part information including price, inventory and certifications: [7/16 F/M In/Out Bulkhead Coax RF Surge Protector, 698MHz - 2.7GHz, DC Pass, 1000W, IP67, 20kA, Filter, Low PIM -155 dBc PE73SP1005](#)



7/16 F/M In/Out Bulkhead Coax RF Surge Protector, 698MHz - 2.7GHz, DC Pass, 1000W, IP67, 20kA, Filter, Low PIM -155 dBc

RF Surge Protectors Technical Data Sheet

PE73SP1005

Mechanical Specifications

Configuration

Input Connector	7/16 DIN Female
Output Connector	7/16 DIN Male

Environmental Specifications

Temperature

Operating Range -50 to 85 deg C

Ingress Protection (IP) Rating IP 67

Compliance Certifications (see [product page](#) for current document)

Plotted and Other Data

Notes:

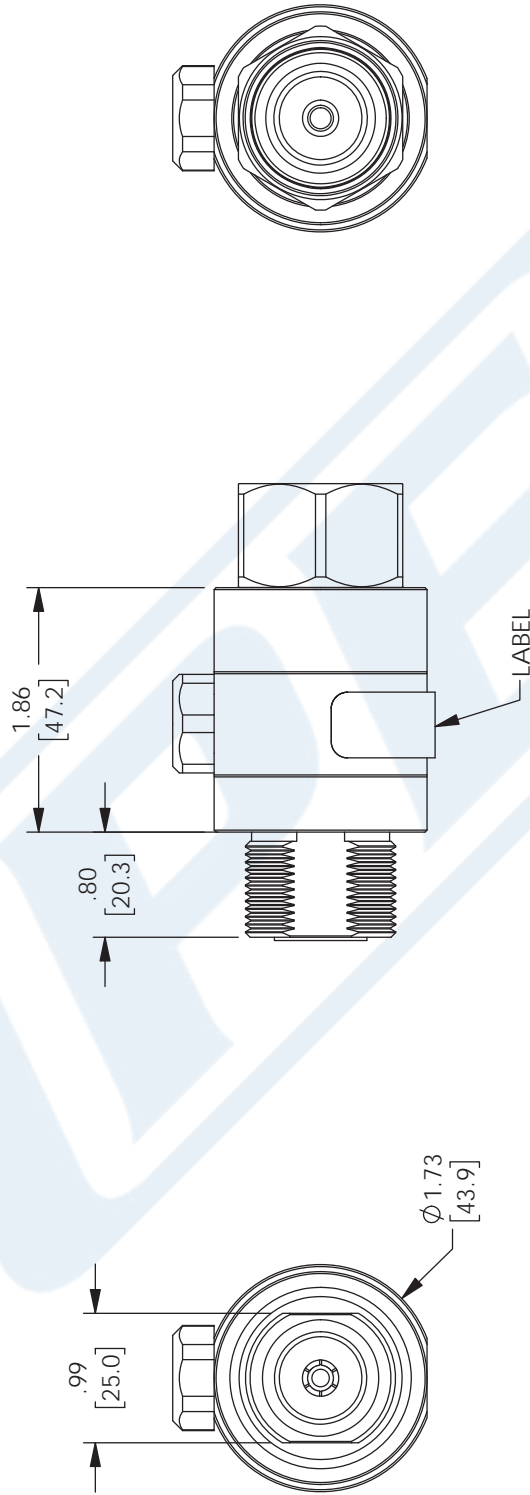
7/16 F/M In/Out Bulkhead Coax RF Surge Protector, 698MHz - 2.7GHz, DC Pass, 1000W, IP67, 20kA, Filter, Low PIM -155 dBc from Pasternack Enterprises has same day shipment for domestic and International orders. Our RF, microwave and millimeter wave products maintain a 99.4% availability and are part of the broadest selection in the industry.

Click the following link (or enter part number in "SEARCH" on website) to obtain additional part information including price, inventory and certifications: [7/16 F/M In/Out Bulkhead Coax RF Surge Protector, 698MHz - 2.7GHz, DC Pass, 1000W, IP67, 20kA, Filter, Low PIM -155 dBc PE73SP1005](#)

URL: <https://www.pasternack.com/7-16-din-surge-protector-2.7ghz-filter-pe73sp1005-p.aspx>

PE73SP1005 CAD Drawing

7/16 F/M In/Out Bulkhead Coax RF Surge Protector, 698MHz - 2.7GHz,
DC Pass, 1000W, IP67, 20kA, Filter, Low PIM -155 dBc



NOTES:

HARDWARE INCLUDED.

REGULATORY COMPLIANCE:

CE2011/65/EU(RoHS DIRECTIVE)

STANDARD TOLERANCES

.X ± 0.2
.XX ± 0.01
.XXX ± 0.005

*STANDARD TOLERANCES APPLY ONLY TO DIMENSIONS IN INCHES



Pasternack Enterprises, Inc.
P.O. Box 16759 | Irvine | CA | 92623
Phone: (949) 261-1920 | **Fax:** (949) 261-7451
Website: www.pasternack.com | **E-Mail:** sales@pasternack.com

DWG TITLE

PE73SP1005

CAGE CODE 53919

NOTES:
1. UNLESS OTHERWISE SPECIFIED ALL DIMENSIONS ARE NOMINAL.
2. ALL SPECIFICATIONS ARE SUBJECT TO CHANGE WITHOUT NOTICE AT ANY TIME
3. DIMENSIONS ARE IN INCHES [mm].

CAD FILE 3/22/18

SCALE N/A

SIZE A

256