



4.3-10 F/M Bulkhead Coaxial RF Surge Protector,
698MHz - 2.7GHz, 500W, IP67, 80 V Max.,
1mJ, 20kA, Filter, Low PIM -173 dBc

RF Surge Protectors Technical Data Sheet

PE73SP1062

Features

- Surge current of 20kA
- Max Power 500W
- Frequency range from 698 MHz to 2700 MHz
- Waterproof IP67 rated
- 4.3-10 Female to 4.3-10 Male connectors
- DC Pass
- VSWR <1.12:1
- Low insertion loss
- CE & RoHS compliant
- Bidirectional

Applications

- Cellular communication systems
- Emergency response systems
- Public safety systems
- Industrial Communications

Description

RF surge protector (also known as lightning arrester) PE73SP1062 from Pasternack Enterprises utilizing a patented spiral inductor design enables an almost instantaneous response to a lightning surge to protect critical hardware while maintaining the RF performance. This RF surge protector component is manufactured in a coaxial in-line design with wide operating frequency range. All Pasternack Enterprises RF surge protector products are available in stock with same day shipping.

Electrical Specifications

Surge Protector Type
DC Handling

Surge Filter and Gas Tube
DC Pass

Description	Minimum	Typical	Maximum	Units
Frequency Range	0.698		2.7	GHz
Impedance		50		Ohms
VSWR			1.12:1	
Insertion Loss		0.1	0.2	dB
Passive Intermodulation		-155	-173	dBc
Operating Voltage (DC)			80	Volts
Operating Current (DC)			6	A
Resistance (DC)			20	mOhms
Input Power, CW			500	Watts
Surge Current IEC 61000-4-5 8/20µs waveform			20	kA
Throughput Energy for 2kA @ 8/20µs waveform			1	mJ

Click the following link (or enter part number in "SEARCH" on website) to obtain additional part information including price, inventory and certifications: [4.3-10 F/M Bulkhead Coaxial RF Surge Protector, 698MHz - 2.7GHz, 500W, IP67, 80 V Max., 1mJ, 20kA, Filter, Low PIM -173 dBc PE73SP1062](#)



4.3-10 F/M Bulkhead Coaxial RF Surge Protector,
698MHz - 2.7GHz, 500W, IP67, 80 V Max.,
1mJ, 20kA, Filter, Low PIM -173 dBc

RF Surge Protectors Technical Data Sheet

PE73SP1062

Mechanical Specifications

Size

Length	2.98 in [75.69 mm]
Width/Diameter	1.72 in [43.69 mm]
Height	1.81 in [45.97 mm]
Weight	1 lbs [453.59 g]
Housing Material and Plating	Brass, Tri-Metal

Configuration

Input Connector	4.3-10 Female
Output Connector	4.3-10 Male

Environmental Specifications

Temperature

Operating Range	-50 to +85 deg C
Storage Range	-50 to +85 deg C

Ingress Protection (IP) Rating	IP67
Humidity	95%

Compliance Certifications (see [product page](#) for current document)

Plotted and Other Data

Notes:

4.3-10 F/M Bulkhead Coaxial RF Surge Protector, 698MHz - 2.7GHz, 500W, IP67, 80 V Max., 1mJ, 20kA, Filter, Low PIM -173 dBc from Pasternack Enterprises has same day shipment for domestic and International orders. Our RF, microwave and millimeter wave products maintain a 99.4% availability and are part of the broadest selection in the industry.

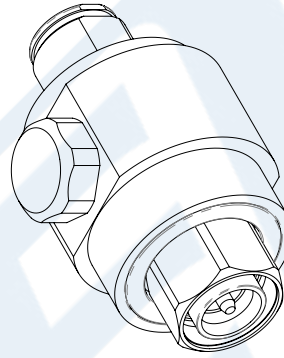
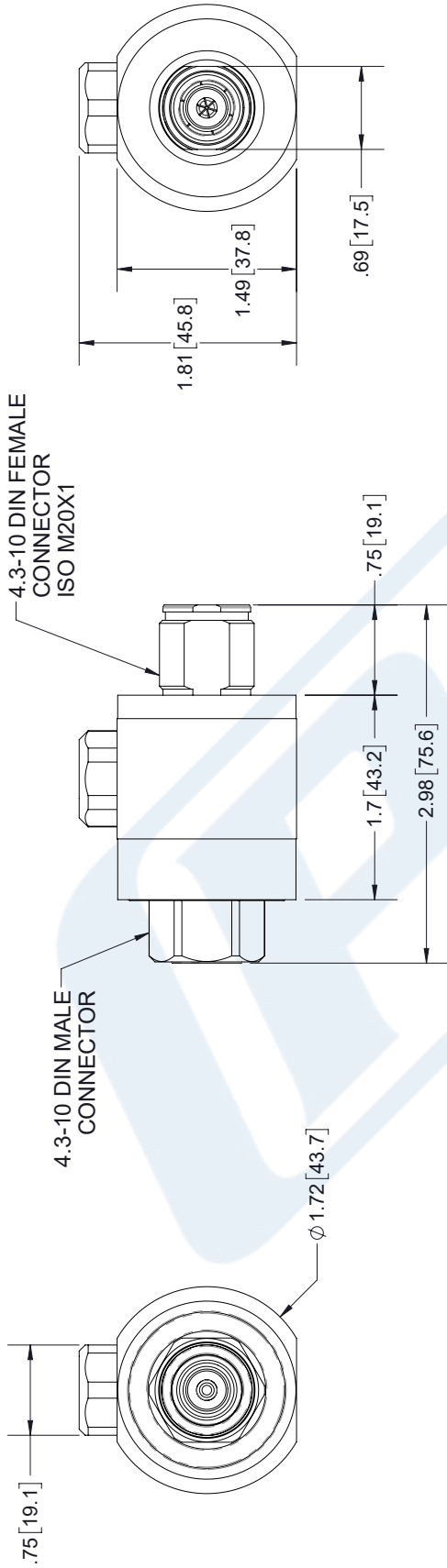
Click the following link (or enter part number in "SEARCH" on website) to obtain additional part information including price, inventory and certifications: [4.3-10 F/M Bulkhead Coaxial RF Surge Protector, 698MHz - 2.7GHz, 500W, IP67, 80 V Max., 1mJ, 20kA, Filter, Low PIM -173 dBc PE73SP1062](#)

URL: <https://www.pasternack.com/4.3-10-surge-protector-2.7ghz-surge-filter-gas-tube-pe73sp1062-p.aspx>

PE73SP1062 CAD Drawing

4.3-10 F/M Bulkhead Coaxial RF Surge Protector, 698MHz - 2.7GHz,
500W, IP67, 80 V Max., 1mJ, 20kA, Filter, Low PIM -173 dBc

REVISIONS			
REV.	DESCRIPTION	DATE	APPROVED
A	INITIAL RELEASE	9/9/19	DWR



HARDWARE KIT CONTENTS:	
QTY	DESCRIPTION
1	NUT M20 X 1 SS
1	WASHER .82ID FLAT SS
1	SILICONE O-RING 019
1	RING TERM 6AWG .82ID

UNLESS OTHERWISE SPECIFIED LEADING DIMENSIONS ARE INCHES DIMENSIONS IN [] ARE MILLIMETERS	
TOLERANCES:	FRACTIONS
X \pm .2	[5/16]
.XX \pm .01	[.25]
.XXX \pm .005	[.13]
ANGLES $\pm 1^\circ$	
ALL DIMENSIONS SHOWN ARE FOR REFERENCE ONLY.	
THIRD-ANGLE PROJECTION	

PE PASTERNAK
an INFINITO brand

Pasternack Enterprises, Inc.
P.O. Box 16759, Irvine, CA 92623.
Phone: 1.949.261.1920 | 1.866.727.8376
Fax: 1.949.261.7451
www.pasternack.com | e-mail: sales@pasternack.com

THE INFORMATION AND DESIGN IN THIS DOCUMENT IS THE PROPERTY OF PASTERNAK CORPORATION. ALL RIGHTS RESERVED.

SHEET 1 OF 1
SCALE 2:3

REV A

PART NUMBER PE73SP1062

DRAWN BY DPM

CAGE CODE A 53919

THESE COMMODITIES, TECHNOLOGY OR SOFTWARE WERE EXPORTED FROM THE UNITED STATES IN ACCORDANCE WITH THE EXPORT ADMINISTRATION REGULATIONS. DIVERSION CONTRARY TO U.S. LAW PROHIBITED.