



WR-10 Waveguide Omni-directional Antenna Operating from 90 GHz to 100 GHz with a Nominal 6.5 dBi Gain with UG-387/U-Mod Square Cover Flange

Waveguide Antennas Technical Data Sheet

PEWAN1136

**Features**

- 360° Azimuth Coverage
- 30° Vertical 3 dB Beamwidth
- Vertically Polarized

**Applications**

- Communications Links
- EW Systems
- Indoor Local Area Networks

**Description**

Pasternack's PEWAN1136 is a WR-10 omnidirectional antenna that operates between 90 GHz and 100 GHz. This vertically polarized antenna offers 360 degrees azimuth coverage with  $\pm 3$  dB angular gain flatness. The antenna features a half power beam width of 30 degrees in the vertical direction and typical 2 dB gain across the entire frequency range. The input of this antenna is a WR-10 waveguide with UG-387/U-Mod flange.

**Configuration**

Design	WR-10 Omni-directional
Pattern	Omni Directional
Polarization	Vertical

**Electrical Specifications**

Description	Minimum	Typical	Maximum	Units
Frequency Range	90		100	GHz
Nominal Gain		6.5		dBi
Gain Flatness		$\pm 3$		dB
Horizontal Half Power Beam Width		360		Degrees
Vertical Half Power Beam Width		30		Degrees
VSWR		2:1		

**Mechanical Specifications**

<b>Size</b>	
Length	1.54 in [39.12 mm]
Width	1.54 in [39.12 mm]
Height	0.76 in [19.3 mm]
Weight	0.0125 lbs [5.67 g]

**Waveguide Interface**

Waveguide Size	WR-10
Flange Type	Square Cover
Flange Designation	UG-387/U-Mod
Body Material and Plating	Aluminum, Gold

Click the following link (or enter part number in "SEARCH" on website) to obtain additional part information including price, inventory and certifications: [WR-10 Waveguide Omni-directional Antenna Operating from 90 GHz to 100 GHz with a Nominal 6.5 dBi Gain with UG-387/U-Mod Square Cover Flange PEWAN1136](#)



WR-10 Waveguide Omni-directional Antenna Operating from 90 GHz to 100 GHz with a Nominal 6.5 dBi Gain with UG-387/U-Mod Square Cover Flange

## Waveguide Antennas Technical Data Sheet

PEWAN1136

### Environmental Specifications

#### Temperature

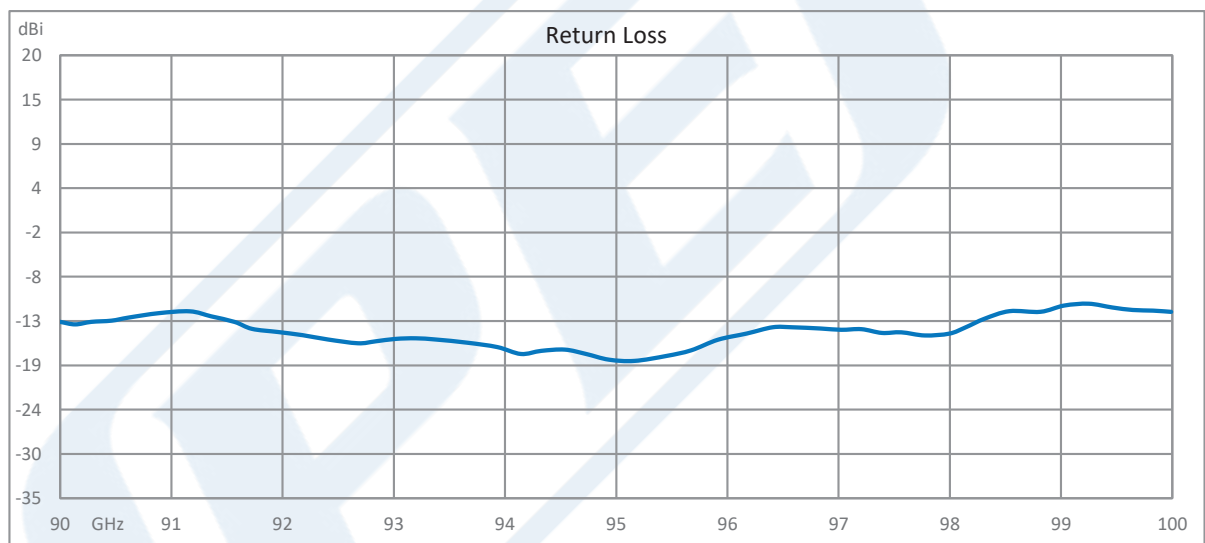
Operating Range

-40 to 85 deg C

**Compliance Certifications** (see [product page](#) for current document)

### Plotted and Other Data

#### Typical Performance Data



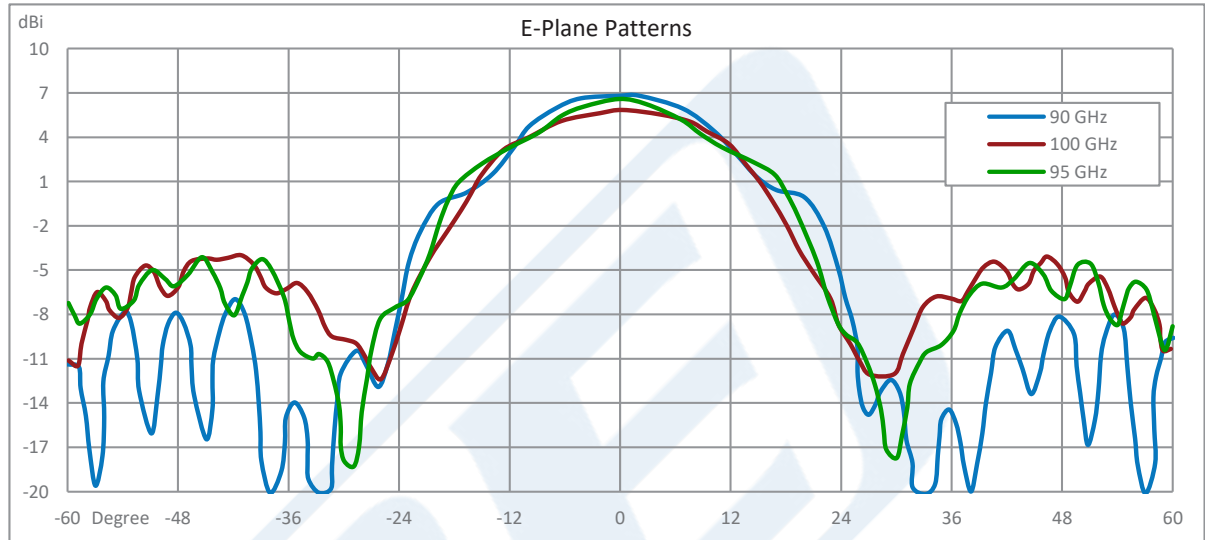
Click the following link (or enter part number in "SEARCH" on website) to obtain additional part information including price, inventory and certifications: [WR-10 Waveguide Omni-directional Antenna Operating from 90 GHz to 100 GHz with a Nominal 6.5 dBi Gain with UG-387/U-Mod Square Cover Flange PEWAN1136](#)



WR-10 Waveguide Omni-directional Antenna Operating from 90 GHz to 100 GHz with a Nominal 6.5 dBi Gain with UG-387/U-Mod Square Cover Flange

## Waveguide Antennas Technical Data Sheet

PEWAN1136

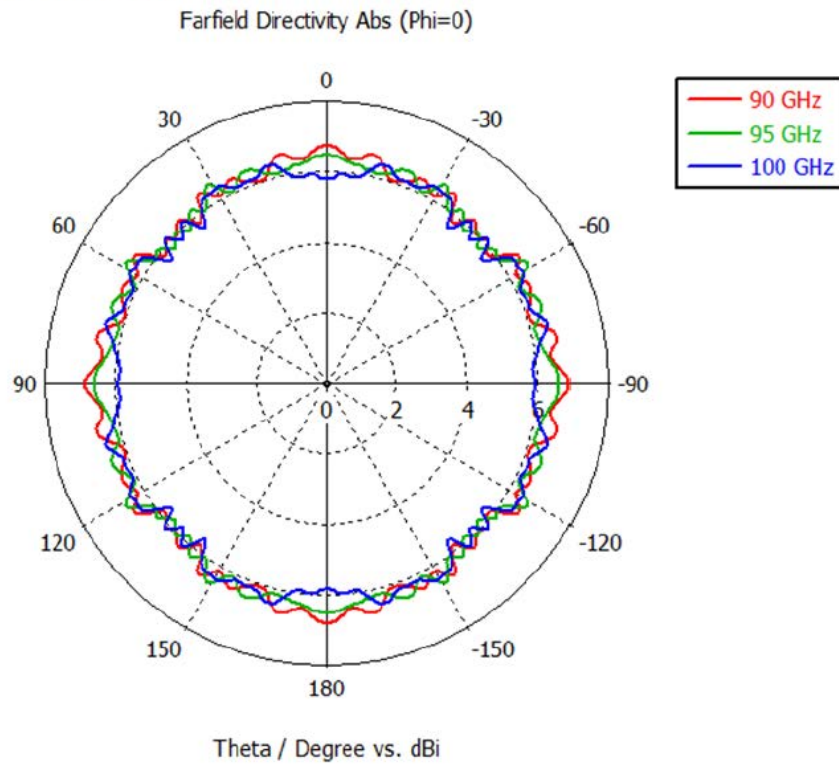


Click the following link (or enter part number in "SEARCH" on website) to obtain additional part information including price, inventory and certifications: [WR-10 Waveguide Omni-directional Antenna Operating from 90 GHz to 100 GHz with a Nominal 6.5 dBi Gain with UG-387/U-Mod Square Cover Flange PEWAN1136](#)



WR-10 Waveguide Omni-directional Antenna Operating from 90 GHz to 100 GHz with a Nominal 6.5 dBi Gain with UG-387/U-Mod Square Cover Flange

### Simulated H-Plane Patterns



Click the following link (or enter part number in "SEARCH" on website) to obtain additional part information including price, inventory and certifications: [WR-10 Waveguide Omni-directional Antenna Operating from 90 GHz to 100 GHz with a Nominal 6.5 dBi Gain with UG-387/U-Mod Square Cover Flange PEWAN1136](#)



WR-10 Waveguide Omni-directional Antenna Operating  
from 90 GHz to 100 GHz with a Nominal 6.5 dBi Gain  
with UG-387/U-Mod Square Cover Flange

Waveguide Antennas Technical Data Sheet

PEWAN1136

WR-10 Waveguide Omni-directional Antenna Operating from 90 GHz to 100 GHz with a Nominal 6.5 dBi Gain with UG-387/U-Mod Square Cover Flange from Pasternack Enterprises has same day shipment for domestic and International orders. Our RF, microwave and millimeter wave products maintain a 99.4% availability and are part of the broadest selection in the industry.

Click the following link (or enter part number in "SEARCH" on website) to obtain additional part information including price, inventory and certifications: [WR-10 Waveguide Omni-directional Antenna Operating from 90 GHz to 100 GHz with a Nominal 6.5 dBi Gain with UG-387/U-Mod Square Cover Flange PEWAN1136](https://www.pasternack.com/wr-10-waveguide-gain-horn-antenna-6.5dbi-ug-387-mod-square-flange-pewan1136-p.aspx)

URL: <https://www.pasternack.com/wr-10-waveguide-gain-horn-antenna-6.5dbi-ug-387-mod-square-flange-pewan1136-p.aspx>

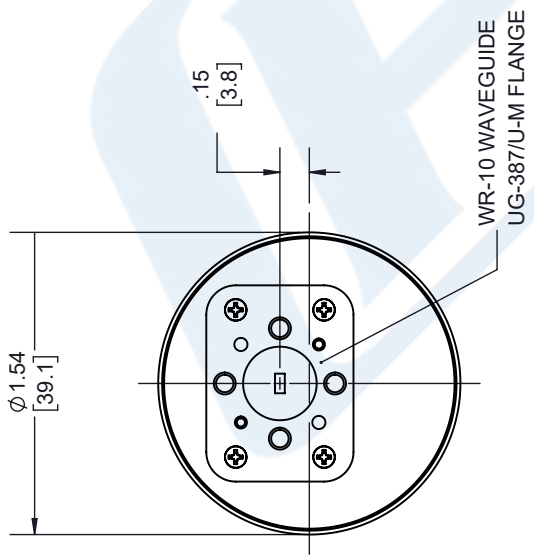
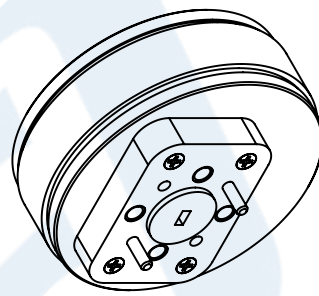
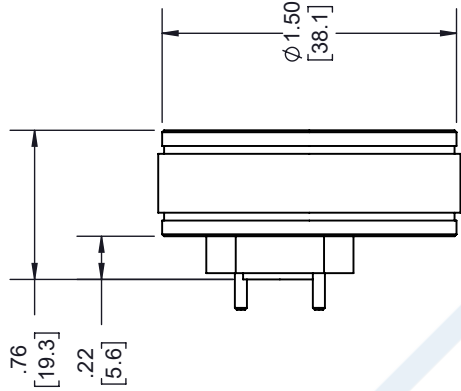
The information contained in this document is accurate to the best of our knowledge and representative of the part described herein. It may be necessary to make modifications to the part and/or the documentation of the part, in order to implement improvements. Pasternack reserves the right to make such changes as required. Unless otherwise stated, all specifications are nominal. Pasternack does not make any representation or warranty regarding the suitability of the part described herein for any particular purpose, and Pasternack does not assume any liability arising out of the use of any part or documentation.

# PEWAN1136 CAD Drawing

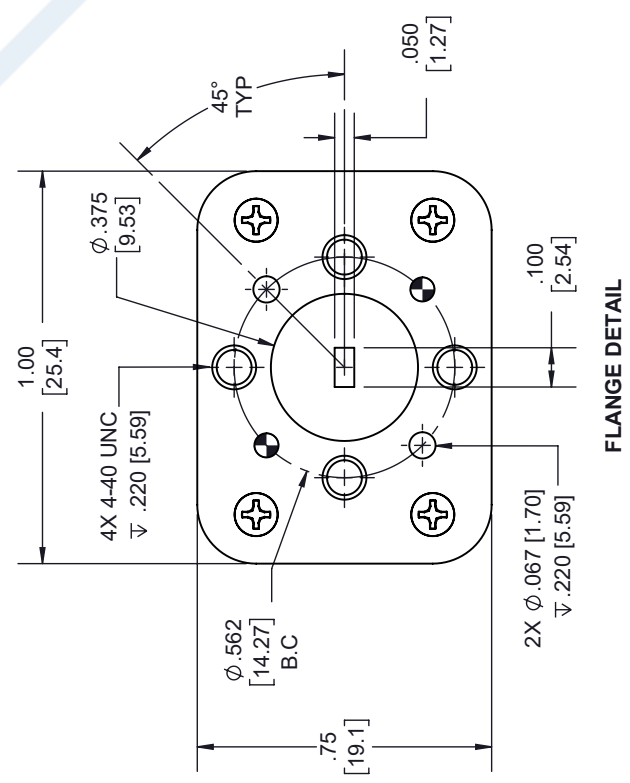
WR-10 Waveguide Omni-directional Antenna Operating from 90 GHz to 100 GHz  
with a Nominal 6.5 dBi Gain with UG-387/U-Mod Square Cover Flange

## REVISIONS

REV.	DESCRIPTION	DATE	APPROVED
A	INITIAL RELEASE	08/28/19	M.MILLER



WR-10 WAVEGUIDE  
UG-387/U-M FLANGE



FLANGE DETAIL

UNLESS OTHERWISE SPECIFIED  
LEADING DIMENSIONS ARE INCHES  
DIMENSIONS IN [ ] ARE MILLIMETERS

TOLERANCES:  
X±.2 [5.08] FRACTIONS  
XX±.01 [.25] ±1/32  
XXX±.005 [1.13] ANGLES ± 1°

ALL DIMENSIONS SHOWN  
ARE FOR REFERENCE ONLY.  
THIRD-ANGLE PROJECTION

**(PE) PASTERNAK**  
an INFINITE brand

Pasternack Enterprises, Inc.  
P. O. Box 16759, Irvine, CA 92623.  
Phone: 1.949.261.1920 | 1.866.727.8376  
Fax: 1.949.261.7451  
www.pasternack.com | e-mail: sales@pasternack.com

THE INFORMATION AND  
DESIGN IN THIS DOCUMENT  
IS THE PROPERTY OF  
PASTERNAK CORPORATION.  
ALL RIGHTS RESERVED.

SHEET 1 OF 1  
SCALE N/A

SIZE A CAGE CODE 53919 DRAWN BY K.DANG PART NUMBER PEWAN1136 REV A

PASTERNAK  
PEWAN1136  
D/C: YYWW

THESE COMMODITIES, TECHNOLOGY OR SOFTWARE WERE EXPORTED FROM THE UNITED STATES IN ACCORDANCE WITH THE EXPORT ADMINISTRATION REGULATIONS. DIVERSION CONTRARY TO U.S. LAW PROHIBITED.