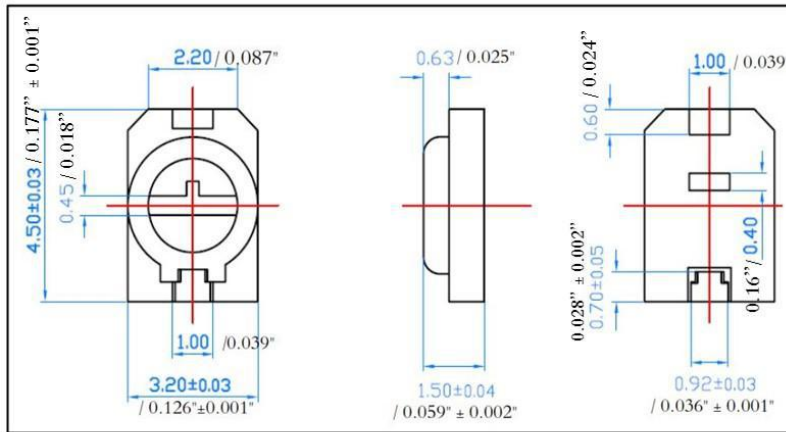


General Specifications

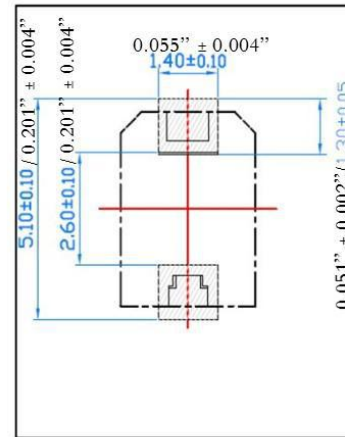
--36 Series

		Part Number				
		PPI3R036	PPI6R036	PPI10036	PPI20036	PPI30036
Specifications:						
Capacitance (pF)	Minimum	1.5	2.0	3.0	5.5	8.0
	Maximum	3.0 ^{+50%} _{-0%}	6.0 ^{+50%} _{-0%}	10 ^{+50%} _{-0%}	20 ^{+50%} _{-0%}	30 ^{+50%} _{-0%}
Color		Black	Blue	Ivory	Pink	Green
DC Working Voltage		100	100	100	100	100
DC Withstanding Voltage		220	220	220	220	220
Temperature Coefficient (ppm/°C)		0±300	0±200	-600±400	-900±400	-1200±300
Q (min) at 1 MHz		300	500	700	500	300
Insulation Resistance		10 ⁴ megaohms				
Operating Temperature		-25°C to 85°C				
Torque		15 ~ 72 gf.cm				
Packaging		All parts furnished on 12mm Tape & Reel. 1000 pcs per reel.				

Dimensions (mm/inches)



Land Pattern



Tape Specifications

