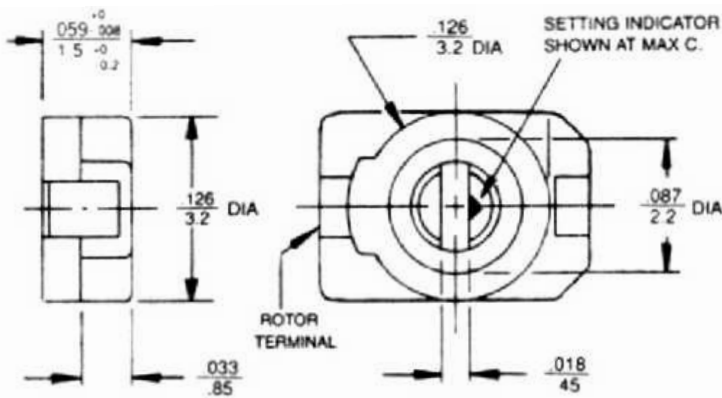
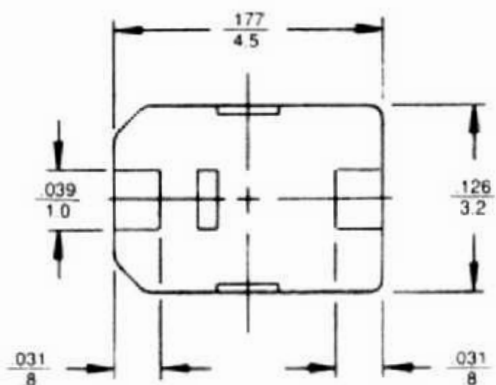


General Specifications

--46 Series

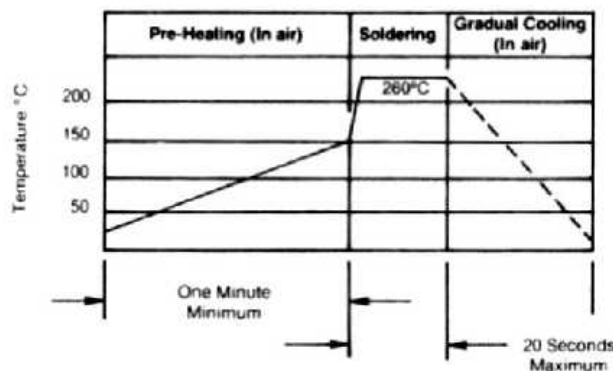
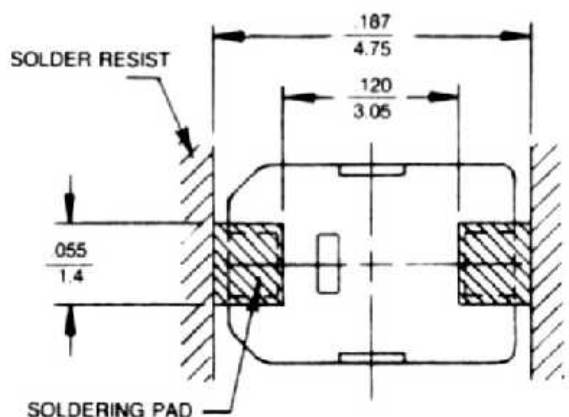
Part Number							
	PPI3R046	PPI6R046	PPI10046	PPI15046	PPI20046	PPI30046	PPI40046
Capacitance (pF)							
Minimum	1.5	2.0	2.0	3.0	4.5	5.5	8.0
Maximum	3.0 ^{+50%} _{-0%}	6.0 ^{+50%} _{-0%}	10.0 ^{+100%} _{-0%}	15.0 ^{+100%} _{-0%}	20.0 ^{+100%} _{-0%}	30.0 ^{+100%} _{-0%}	40.0 ^{+100%} _{-0%}
Marking Color	Black	Blue	White	Pink	Red	Orange	Yellow
DC Working Voltage	125	125	125	125	125	125	125
DC Withstanding Voltage	250	250	250	250	250	250	250
Temperature Coefficient (ppm/°C)	0 ± 200	0 ± 300	0 ± 300	0 ± 500	0 ± 500	-1500 ± 1000	-1500 ± 1000
Q (min.) at 1 MHz	500	500	500	500	500	200	200
Self Resonant Frequency at Maximum Rated Capacitance	2.1 GHz	1.5 GHz	1.16 GHz	0.92 GHz	0.81 GHz	0.70 GHz	0.60 GHz
Insulation Resistance	10 ⁴ megaohms						
Operating Temperature	-40°C to +85°C						
Torque	0.14 to 1.0 in-oz						
Packaging	All parts furnished on 12mm tape and reel; 1,000 pcs per reel						



Drawing tolerances where not specified ± 0.008in / 0.200mm

SOLDER PAD LAYOUT

RECOMMENDED REFLOW SOLDER TEMPERATURE PROFILE FOR ALL 46 TRIMMER CAPACITORS



Recommended thickness of solder paste 0.15mm