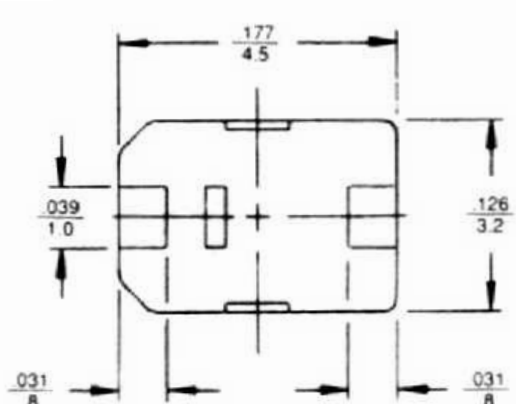


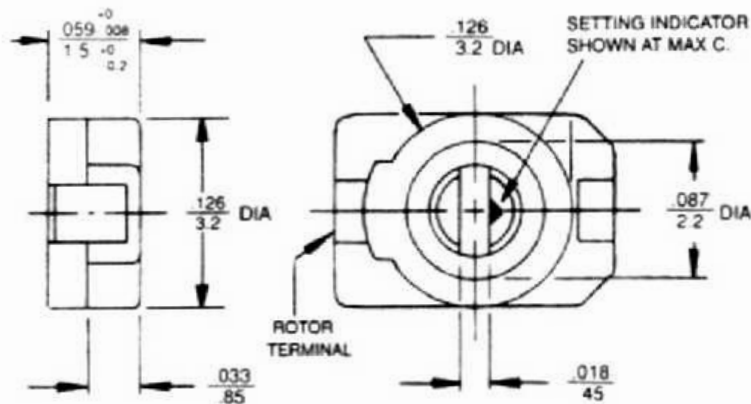
General Specifications

--46 High Voltage Series

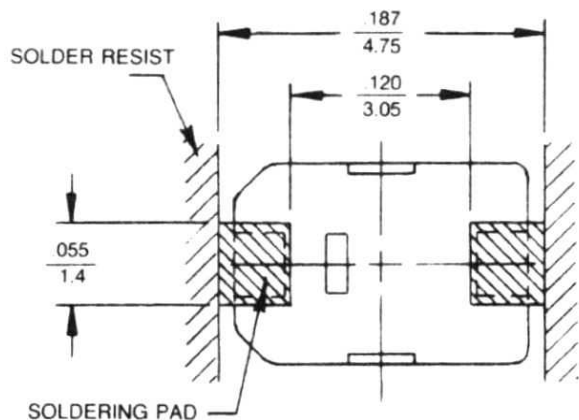
Part Number							
	PPI3R046HV	PPI6R046HV	PPI10046HV	PPI15046HV	PPI20046HV	PPI30046HV	PPI40046HV
Capacitance (pF)							
Minimum	1.5	2.0	2.0	3.0	4.5	5.5	8.0
Maximum	3.0 ^{+50%} _{-0%}	6.0 ^{+50%} _{-0%}	10.0 ^{+100%} _{-0%}	15.0 ^{+100%} _{-0%}	20.0 ^{+100%} _{-0%}	30.0 ^{+100%} _{-0%}	40.0 ^{+100%} _{-0%}
Marking Color	Black	Blue	White	Pink	Red	Orange	Yellow
DC Working Voltage	350	350	350	350	350	350	350
DC Withstanding Voltage	700	700	700	700	700	700	700
Temperature Coefficient (ppm/°C)	0 ± 200	0 ± 300	0 ± 300	0 ± 500	0 ± 500	-1500 ± 1000	-1500 ± 1000
Q (min.) at 1 MHz	500	500	500	500	500	200	200
Self Resonant Frequency at Maximum Rated Capacitance	2.1 GHz	1.5 GHz	1.16 GHz	0.92 GHz	0.81 GHz	0.70 GHz	0.60 GHz
Insulation Resistance	10 ⁴ megaohms						
Operating Temperature	-40°C to +85°C						
Torque	0.14 to 1.0 in-oz						
Packaging	All parts furnished on 12mm tape and reel; 1,000 pcs per reel						



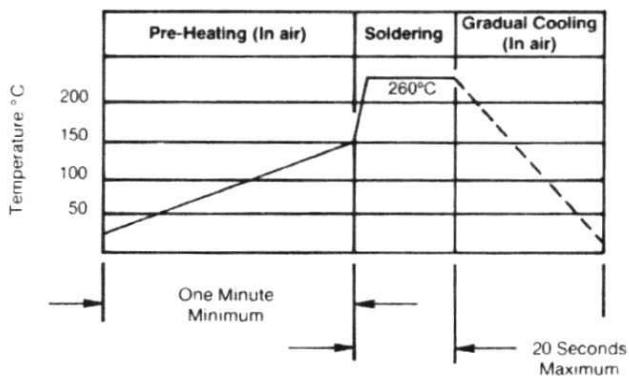
SOLDER PAD LAYOUT



RECOMMENDED REFLOW SOLDER TEMPERATURE PROFILE FOR ALL 46 HV TRIMMER CAPACITORS



Recommended thickness of solder paste 0.15mm



PPI46HVTRIMDATA030619RevA