



Temperature Compensated Low Noise Amplifier, 26.5 GHz to 40 GHz, 35 dB min Gain, P1dB 18 dBm, 2.92mm

TECHNICAL DATA SHEET

PE15A5108

The PE15A5108 is a temperature compensated RF amplifier that covers a broadband frequency from 26.5 GHz to 40 GHz. The GaAs FET design utilizes PIN diode compensation circuitry that adjusts gain levels as the device is exposed to temperature variations. At high temperatures, the gain level will be about 1 to 1.5 dB lower and at low temperatures the gain level will be about 1 to 1.5 dB higher. The gain level will always be higher than the minimum specified gain level of 35 dB over the full operational temperature range of -55°C to +85°C. Impressive typical performance for the 50 ohm design includes 7 dB Noise Figure, +18dBm P1dB, and 1.9:1 VSWR. DC Bias Voltage ranges from +12V to +15V with 400 mA DC current. The rugged and compact Mil Grade aluminum package supports 2.92mm female spark plug connectors, and is designed to meet a series of Mil-STD-202 environmental test conditions including Altitude, Vibration, Humidity, and Shock.

Features

- Temperature Compensated GaAs FET Amplifier Design
- Frequency Range 26.5 GHz to 40 GHz
- PIN Diode Compensation Circuitry
- Small Signal Gain 45 dB typ
- Operational Temperature Range -55°C to +85°C
- Noise Figure 7 dB typ
- Output P1dB +18 dBm typ
- VSWR 2.0:1 typ
- DC Voltage +12 to +15 Vdc
- DC Current 400 mA
- 2.92mm Female Connectors
- Rugged Mil Grade Aluminum Package Design
- Designed to meet MIL-STD-202 environmental test conditions

Applications

- Aerospace & Defense
- Test & Measurement
- Microwave Radio Systems
- Military & Commercial Communication Systems
- Research & Development
- RF Front Ends
- SATCOM
- Wireless Communications
- Unmanned Systems

Electrical Specifications (TA = +25°C)

Description	Minimum	Typical	Maximum	Units
Frequency Range	26.5		40	GHz
Small Signal Gain	35*	45		dB
Gain Flatness		±2	±3	dB
Input Power (CW)			10	dBm
Output Power at 1 dB Compression Point	15	18		dBm
Noise Figure		7	8.5	dB
Impedance (Input)		50		Ohms
Impedance (Output)		50		Ohms
Input VSWR		2.1:1	2.5:1	
Output VSWR		2.0:1	2.5:1	
Operating DC Voltage	12		15	Volts
Operating DC Current		400		mA
Operating Temperature Range	-55		85	°C

Click the following link (or enter part number in "SEARCH" on website) to obtain additional part information including price, inventory and certifications: [Temperature Compensated Low Noise Amplifier, 26.5 GHz to 40 GHz, 35 dB min Gain, P1dB 18 dBm, 2.92mm PE15A5108](#)



Temperature Compensated Low Noise Amplifier, 26.5 GHz
to 40 GHz, 35 dB min Gain, P1dB 18 dBm, 2.92mm

TECHNICAL DATA SHEET

PE15A5108

Electrical Specification Notes:

*Minimum Gain Guaranteed over -55°C to +85°C

Mechanical Specifications

Size

Length	1.39 in [35.31 mm]
Width	1.4 in [35.56 mm]
Height	0.4 in [10.16 mm]
Weight	0.9 lbs [408.23 g]
Input Connector	2.92mm Female
Output Connector	2.92mm Female

Environmental Specifications

Temperature

Operating Range	-55 to +85 deg C
Storage Range	-40 to +100 deg C

Humidity	MIL-STD-202F, Method 103B, Condition B
Shock	MIL-STD-202F, Method 213B, Condition B
Vibration	MIL-STD-202F, Method 204D, Condition B
Altitude	MIL-STD-202F, Method 105C, Condition B

Compliance Certifications (see [product page](#) for current document)

Plotted and Other Data

Notes:

- Values at +25 °C, sea level
- ESD Sensitive Material, Transport material in Approved ESD bags. Handle only in approved ESD Workstation.//Heat Sink Required for Proper Operation, Unit is cooled by conduction to heat sink.

Click the following link (or enter part number in "SEARCH" on website) to obtain additional part information including price, inventory and certifications: [Temperature Compensated Low Noise Amplifier, 26.5 GHz to 40 GHz, 35 dB min Gain, P1dB 18 dBm, 2.92mm PE15A5108](#)



Temperature Compensated Low Noise Amplifier, 26.5 GHz to 40 GHz, 35 dB min Gain, P1dB 18 dBm, 2.92mm

TECHNICAL DATA SHEET

PE15A5108

Amplifier Power-up Precautions

- 1.) Confirm that proper ESD precautions and controls are always in place before handling any Amplifier module.
- 2.) Confirm adequate thermal management is in place to effectively dissipate heat away from the Amplifier package. The Amplifier operational baseplate temperature must be within the operational temperature range stated in the Amplifier datasheet. Depending on the design and thermal requirements, using a heatsink with cooling fan is always recommended for safe reliable operation. A heat sink without a cooling fan may also be used. Damage caused from overheating will void the warranty.
- 3.) Confirm adequate system grounding is established. The DC power supply and Amplifier must have a common ground in order to operate properly.
- 4.) Power Amplifiers may require additional DC Current when initially powered-up. Depending on the design, the input current draw could range from an additional 10% to 100% above the maximum rated DC current of the Amplifier. This varies based on product part number.
- 5.) Confirm the DC power supply, if limited, is set to allow for additional start-up current that's rated for the Power Amplifier.
- 6.) Confirm the system is designed and calibrated for 50 ohms. Any impedance mismatch may cause performance issues.
- 7.) Perform a CALIBRATION (if required) with the loads before connecting the Amplifier to the Network Analyzer to ensure proper performance.
- 8.) Use a fixed attenuator between the signal source and input port of the Amplifier to optimize the input VSWR match.
- 9.) Confirm the input power level at the input port of the amplifier does not exceed the maximum rated limit for input power (as stated in the Amplifier datasheet).
 P_{in} for Small Signal Gain = P1dB-SSG-10 dB
 P_{in} for P1dB = P1dB-SSG+1 dB
- 10.) Confirm the Network Analyzer is always connected to the Amplifier first before DC power is applied to the Amplifier.
- 11.) As long as the input and output ports of the amplifier are connected to a 50Ohm load and RF signal power is applied, the Amplifier can be powered up with DC voltage.
- 12.) Confirm the Amplifier output load is matched for a 50 Ohm impedance and will not exceed the maximum rated VSWR or Return Loss limit for the Amplifier. Exceeding the maximum rated VSWR or Return Loss limit will result in reflected signal power that could damage the Amplifier and void the warranty.
- 13.) **Power Amplifier connected to an Antenna for signal transmission** - It's strongly recommended to use a high power fixed attenuator pad or an Isolator between the output port of the Amplifier and input port to the antenna. Any reflected signal power due to impedance mismatch will likely damage the Amplifier and void the warranty.
- 14.) The attenuator or isolator used at the output port of the Amplifier must be rated to handle the output power level and operational frequency band of the amplifier.

Click the following link (or enter part number in "SEARCH" on website) to obtain additional part information including price, inventory and certifications: [Temperature Compensated Low Noise Amplifier, 26.5 GHz to 40 GHz, 35 dB min Gain, P1dB 18 dBm, 2.92mm PE15A5108](#)

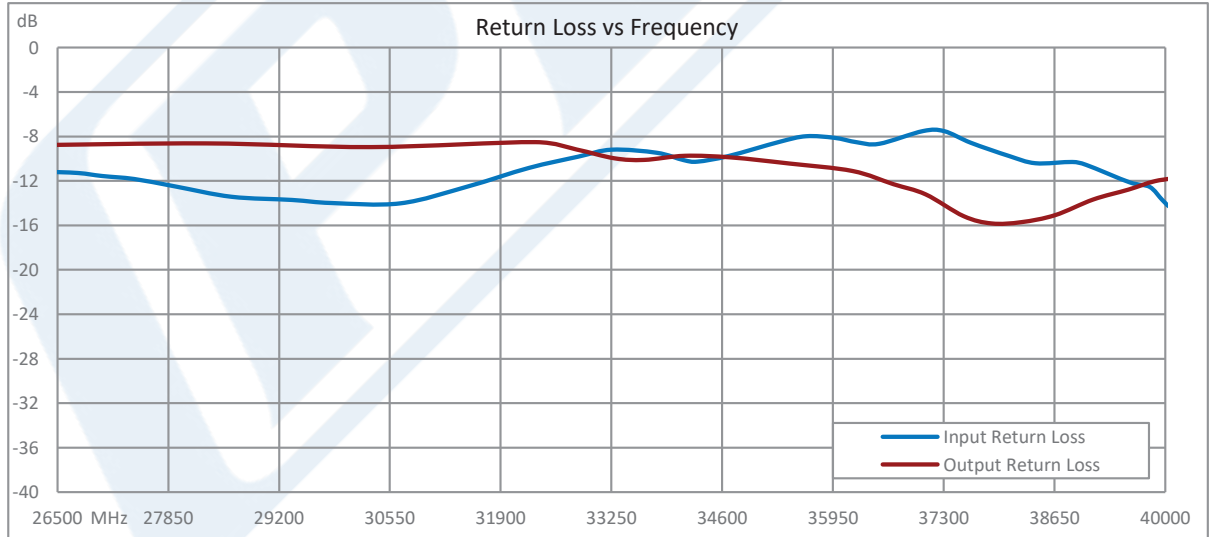
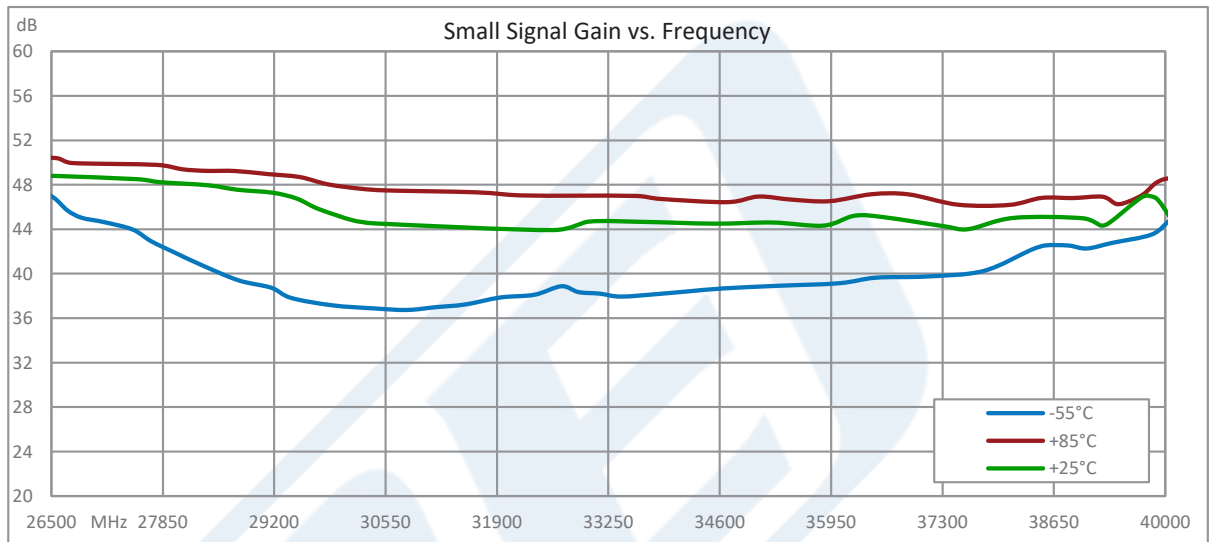


Temperature Compensated Low Noise Amplifier, 26.5 GHz to 40 GHz, 35 dB min Gain, P1dB 18 dBm, 2.92mm

TECHNICAL DATA SHEET

PE15A5108

Typical Performance Data



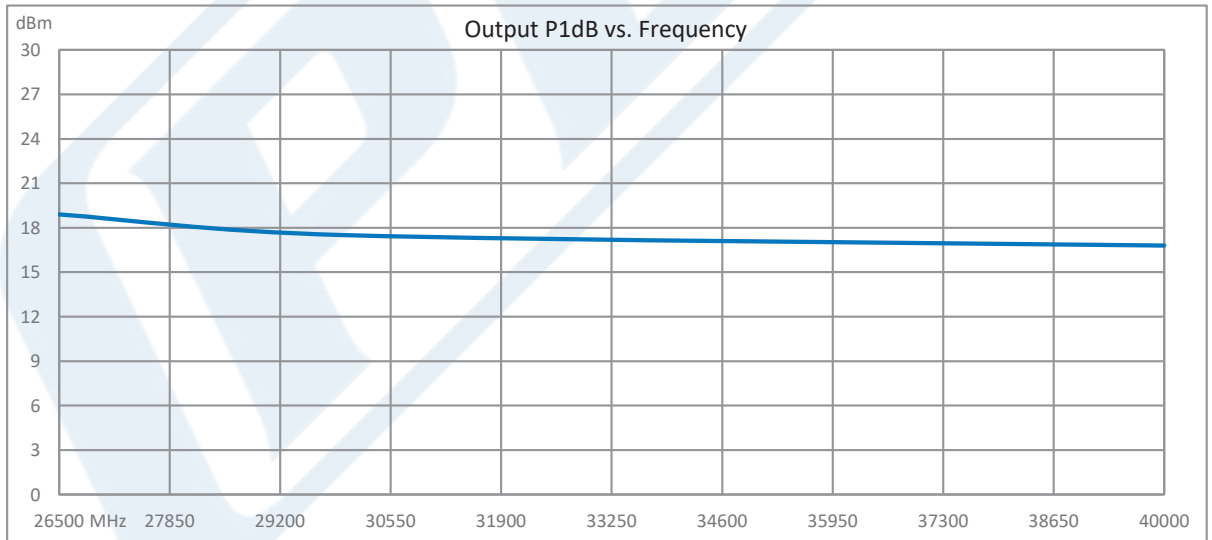
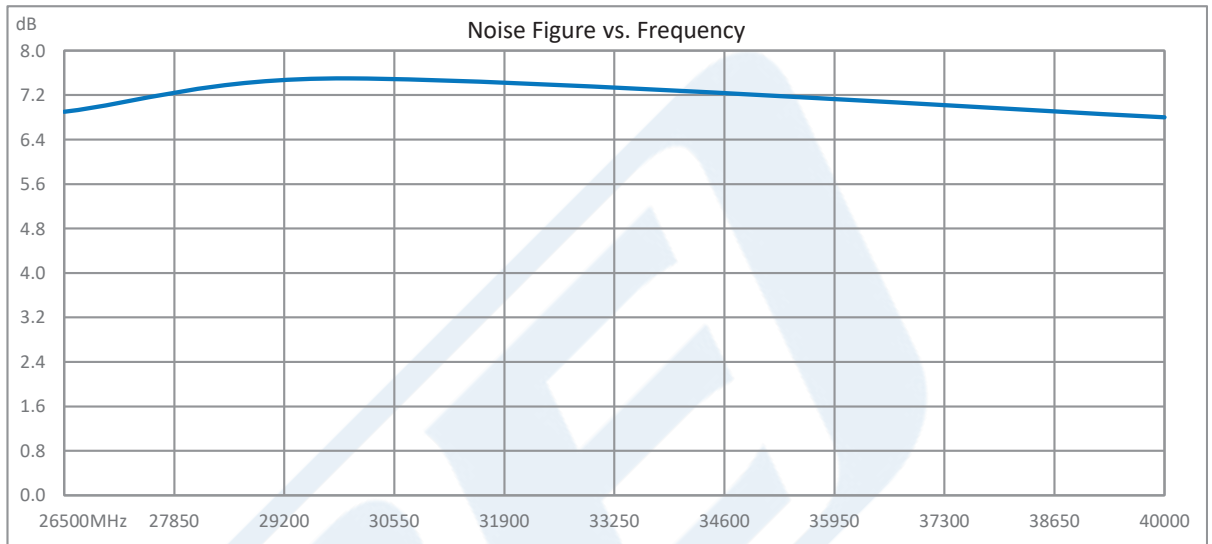
Click the following link (or enter part number in "SEARCH" on website) to obtain additional part information including price, inventory and certifications: [Temperature Compensated Low Noise Amplifier, 26.5 GHz to 40 GHz, 35 dB min Gain, P1dB 18 dBm, 2.92mm PE15A5108](#)



Temperature Compensated Low Noise Amplifier, 26.5 GHz to 40 GHz, 35 dB min Gain, P1dB 18 dBm, 2.92mm

TECHNICAL DATA SHEET

PE15A5108



Click the following link (or enter part number in "SEARCH" on website) to obtain additional part information including price, inventory and certifications: [Temperature Compensated Low Noise Amplifier, 26.5 GHz to 40 GHz, 35 dB min Gain, P1dB 18 dBm, 2.92mm PE15A5108](#)



Temperature Compensated Low Noise Amplifier, 26.5 GHz
to 40 GHz, 35 dB min Gain, P1dB 18 dBm, 2.92mm

TECHNICAL DATA SHEET

PE15A5108

Temperature Compensated Low Noise Amplifier, 26.5 GHz to 40 GHz, 35 dB min Gain, P1dB 18 dBm, 2.92mm from Pasternack Enterprises has same day shipment for domestic and International orders. Our RF, microwave and millimeter wave products maintain a 99.4% availability and are part of the broadest selection in the industry.

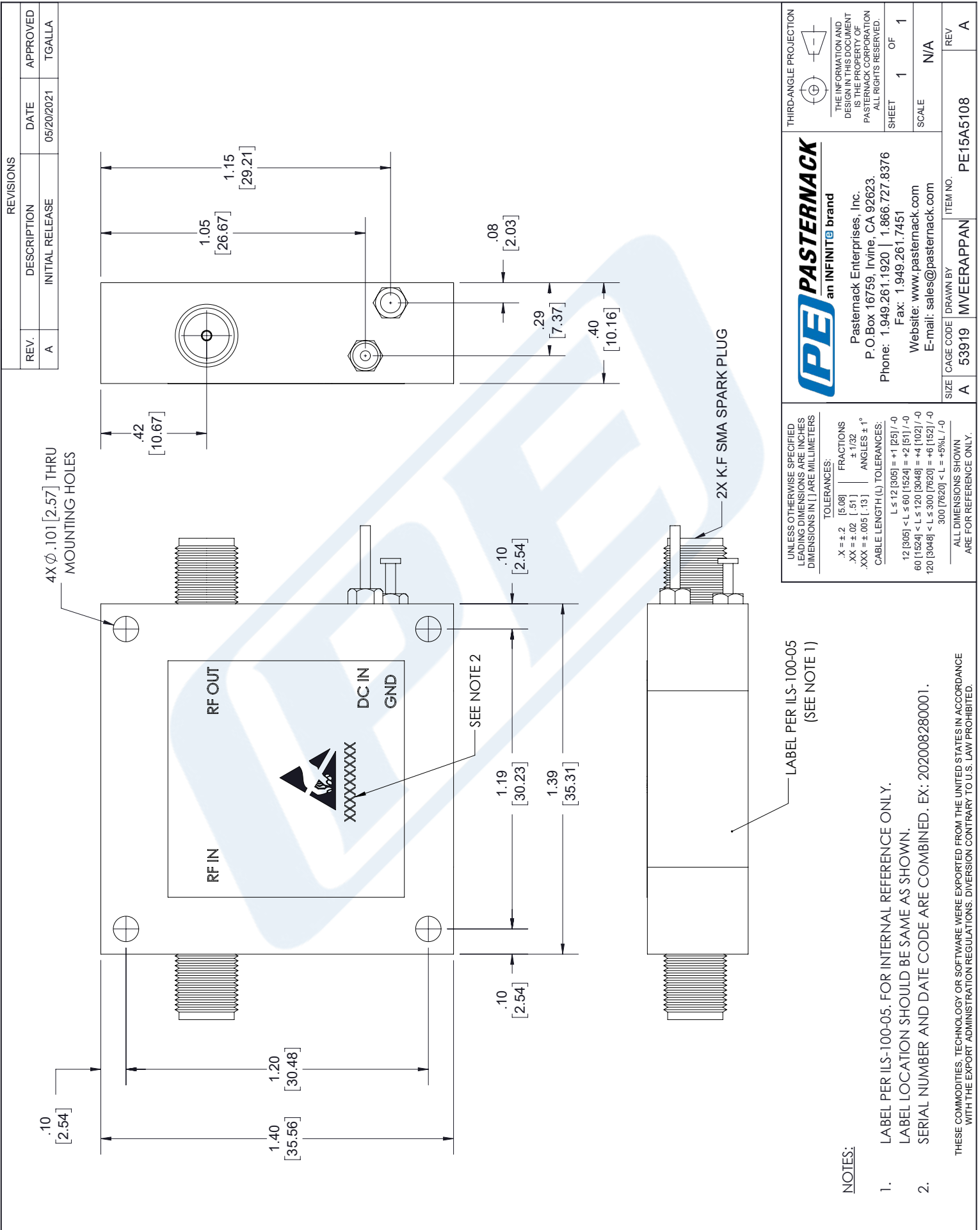
Click the following link (or enter part number in "SEARCH" on website) to obtain additional part information including price, inventory and certifications: [Temperature Compensated Low Noise Amplifier, 26.5 GHz to 40 GHz, 35 dB min Gain, P1dB 18 dBm, 2.92mm PE15A5108](https://www.pasternack.com/temperature-compensated-low-noise-amplifier-265-ghz-to-40-ghz-35-db-min-gain-p1db-18-dbm-2.92mm-PE15A5108)

URL: <https://www.pasternack.com/temperature-compensated-low-noise-amplifier-265-ghz-to-40-ghz-35-db-min-gain-p1db-18-dbm-sma-PE15A5108-p.aspx>

The information contained in this document is accurate to the best of our knowledge and representative of the part described herein. It may be necessary to make modifications to the part and/or the documentation of the part, in order to implement improvements. Pasternack reserves the right to make such changes as required. Unless otherwise stated, all specifications are nominal. Pasternack does not make any representation or warranty regarding the suitability of the part described herein for any particular purpose, and Pasternack does not assume any liability arising out of the use of any part or documentation.

PE15A5108 CAD Drawing

Temperature Compensated Low Noise Amplifier, 26.5 GHz to 40 GHz, 35 dB min Gain, P1dB 18 dBm, 2.92mm



REVISIONS			
REV.	DESCRIPTION	DATE	APPROVED
A	INITIAL RELEASE	05/20/2021	TGALLA

THIRD-ANGLE PROJECTION

THE INFORMATION AND DESIGN IN THIS DOCUMENT IS THE PROPERTY OF PASTERNAK CORPORATION. ALL RIGHTS RESERVED.

SHEET 1 OF 1

SCALE N/A

REV A

ITEM NO. PE15A5108

PE PASTERNAK
an INFINITI brand

Pasternack Enterprises, Inc.
P. O. Box 16759, Irvine, CA 92623.
Phone: 1.949.261.1920 | 1.866.727.8376
Fax: 1.949.261.7451
Website: www.pasternack.com
E-mail: sales@pasternack.com

SIZE A CAGE CODE 53919 DRAWN BY MVEERAPPAN

UNLESS OTHERWISE SPECIFIED LEADING DIMENSIONS ARE INCHES DIMENSIONS IN [] ARE MILLIMETERS

TOLERANCES:

.X = ±.2	[5.08]	FRACTIONS
.XX = ±.02	[.51]	± 1/32
.XXX = ±.005	[.13]	ANGLES ± 1°

CABLE LENGTH (L) TOLERANCES:

L ≤ 12	[305]	= +1 [25] / -0
12 [305] < L ≤ 60	[1524]	= +2 [51] / -0
60 [1524] < L ≤ 120	[3048]	= +4 [102] / -0
120 [3048] < L ≤ 300	[7620]	= +6 [152] / -0
300 [7620] < L		= +5%L / -0

ALL DIMENSIONS SHOWN ARE FOR REFERENCE ONLY.

- NOTES:**
- LABEL PER ILS-100-05. FOR INTERNAL REFERENCE ONLY. LABEL LOCATION SHOULD BE SAME AS SHOWN.
 - SERIAL NUMBER AND DATE CODE ARE COMBINED. EX: 202008280001.

THESE COMMODITIES, TECHNOLOGY OR SOFTWARE WERE EXPORTED FROM THE UNITED STATES IN ACCORDANCE WITH THE EXPORT ADMINISTRATION REGULATIONS. DIVERSION CONTRARY TO U.S. LAW PROHIBITED.