



2.92mm Female 2 hole PCB Mount with Round Contact 42GHz VSWR1.2, 0.016 Inches Diameter Pin and 0.106 Inches Pin Length

RF Connectors Technical Data Sheet

PE45924

Configuration

- 2.92mm Female Connector
- 50 Ohms
- Straight Body Geometry

Features

- Max. Operating Frequency 42 GHz
- Excellent VSWR of 1.2:1
- Gold Plated Beryllium Copper Contact

Applications

- General Purpose Test
- PCB Applications

Description

PE45924 2.92mm female PCB RF connector has a 50 Ohms impedance. Our 2.92mm female PCB connector provides a maximum frequency of 42 GHz. Our high-quality radio frequency coaxial connector is used for general purpose tests and printed circuit board applications. This 2.92mm female RF connector is stocked to be readily available for same business day shipment.

The Pasternack 2.92mm female PCB connector has a maximum VSWR of 1.2:1. The Pasternack 2.92mm PCB connector has a stainless steel body. Our PE45924 2.92mm connector uses a stainless steel outer conductor. Pasternack's 2.92mm female connector has a maximum operating voltage of 250 Vrms and a dielectric withstanding voltage of 750 Vrms.

Pasternack RF connector has a maximum inner conductor and outer conductor resistance of 3 mOhms and 2 mOhms respectively. The radio frequency connector is made from stainless steel material and has a contact life of 500 cycles or more. The Pasternack PE45924 2.92mm connector operates at a temperature range of -40 to +165 deg C. Our female RF connector with PCB termination has a 0.259 dB maximum insertion loss.

This Pasternack 2.92mm female connector will ship the same business day as purchased. Our 2.92mm female connector is part of RF, microwave, and millimeter wave components in stock for local, domestic, and international shipment. For further information on similar products, our expert technical support and trained sales team can get you the ideal RF connector as per your requirements.

Electrical Specifications

Description	Minimum	Typical	Maximum	Units
Frequency Range	DC		42	GHz
VSWR			1.2:1	
Insertion Loss			0.259	dB
Operating Voltage (AC)			250	Vrms
Impedance		50		Ohms
Dielectric Withstanding Voltage (AC)			750	Vrms
Inner Conductor DC Resistance			3	mOhms
Outer Conductor DC Resistance			2	mOhms
Insulation Resistance	5,000			MOhms
RF Leakage	100			dB

Click the following link (or enter part number in "SEARCH" on website) to obtain additional part information including price, inventory and certifications: [2.92mm Female 2 hole PCB Mount with Round Contact 42GHz VSWR1.2, 0.016 Inches Diameter Pin and 0.106 Inches Pin Length PE45924](#)



2.92mm Female 2 hole PCB Mount with Round Contact 42GHz VSWR1.2, 0.016 Inches Diameter Pin and 0.106 Inches Pin Length

RF Connectors
Technical Data Sheet

PE45924

Mechanical Specifications

Size

Length	0.54 in [13.72 mm]
Width	0.40 in [10.16 mm]
Height	0.40 in [10.16 mm]
Weight	0.01 lbs [4.54 g]
Mating Cycles	500 Cycles
Mating Torque	11.47 to 15 in-lbs [1.30 to 1.70 Nm]
Cable Retention Force	4.9 lbs 2.22 kg

Material Specifications

Description	Material	Plating
Contact	Beryllium Copper	Gold
Insulation	PEI	
Outer Conductor	Stainless Steel	
Body	Stainless Steel	

Environmental Specifications

Temperature

Operating Range	-40 to +165 deg C
Humidity	MIL-STD-202, Method 206
Thermal Shock	MIL-STD-202, Method 107, Condition B
Salt Spray	MIL-STD-202, Method 101, Condition B

Compliance Certifications (see [product page](#) for current document)

Plotted and Other Data

Notes:

Click the following link (or enter part number in "SEARCH" on website) to obtain additional part information including price, inventory and certifications: [2.92mm Female 2 hole PCB Mount with Round Contact 42GHz VSWR1.2, 0.016 Inches Diameter Pin and 0.106 Inches Pin Length PE45924](#)



2.92mm Female 2 hole PCB Mount with Round Contact 42GHz VSWR1.2, 0.016 Inches Diameter Pin and 0.106 Inches Pin Length

RF Connectors Technical Data Sheet

PE45924

2.92mm Female 2 hole PCB Mount with Round Contact 42GHz VSWR1.2, 0.016 Inches Diameter Pin and 0.106 Inches Pin Length from Pasternack Enterprises has same day shipment for domestic and International orders. Our RF, microwave and millimeter wave products maintain a 99.4% availability and are part of the broadest selection in the industry.

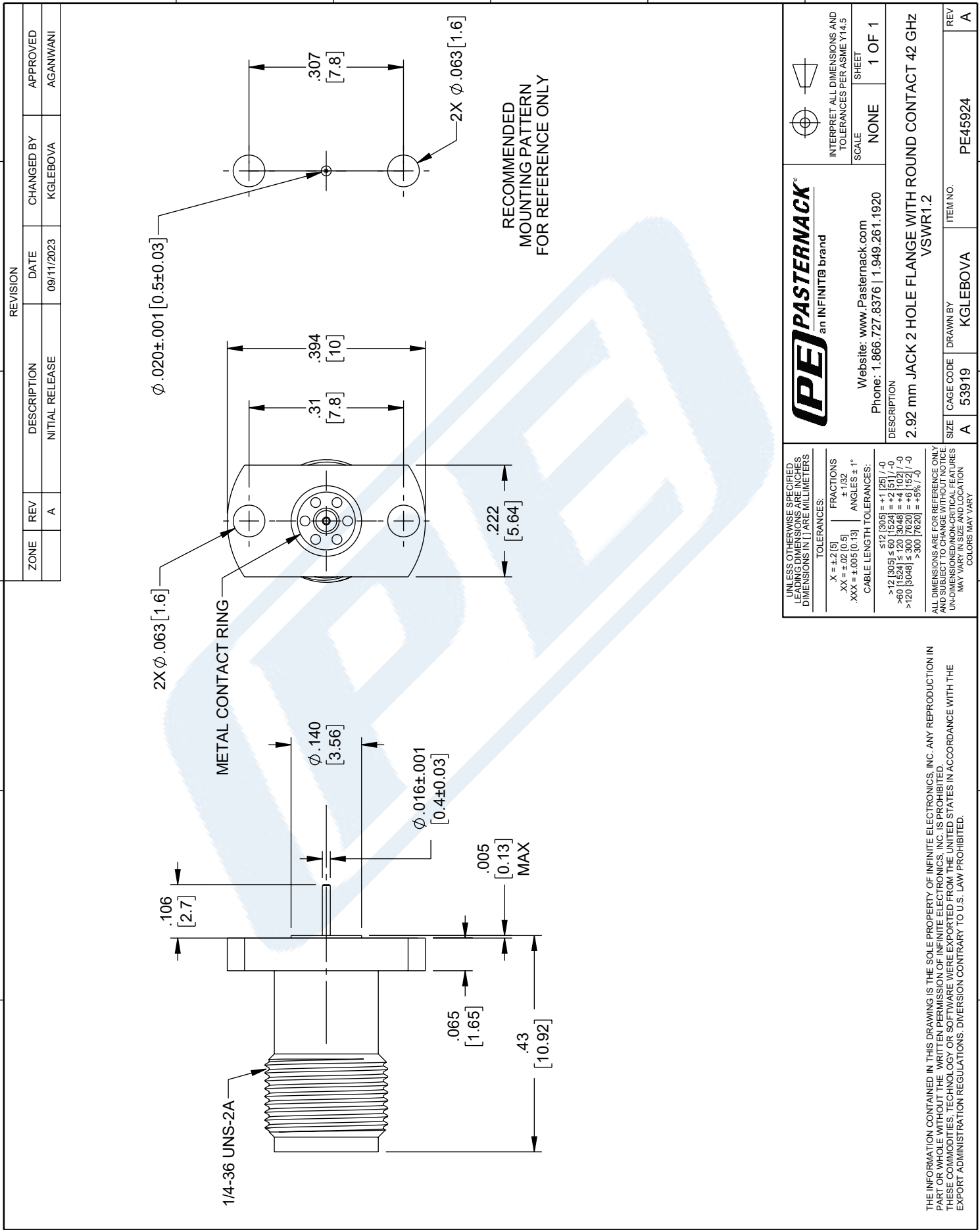
Click the following link (or enter part number in "SEARCH" on website) to obtain additional part information including price, inventory and certifications: [2.92mm Female 2 hole PCB Mount with Round Contact 42GHz VSWR1.2, 0.016 Inches Diameter Pin and 0.106 Inches Pin Length PE45924](https://www.pasternack.com/2.92mm-female-pcb-connector-pe45924-p.aspx)

URL: <https://www.pasternack.com/2.92mm-female-pcb-connector-pe45924-p.aspx>

The information contained in this document is accurate to the best of our knowledge and representative of the part described herein. It may be necessary to make modifications to the part and/or the documentation of the part, in order to implement improvements. Pasternack reserves the right to make such changes as required. Unless otherwise stated, all specifications are nominal. Pasternack does not make any representation or warranty regarding the suitability of the part described herein for any particular purpose, and Pasternack does not assume any liability arising out of the use of any part or documentation.

PE45924 CAD Drawing

2.92mm Female 2 hole PCB Mount with Round Contact 42GHz VSWR1.2,
0.016 Inches Diameter Pin and 0.106 Inches Pin Length



ZONE	REV	DESCRIPTION	DATE	CHANGED BY	APPROVED
	A	NITIAL RELEASE	09/11/2023	KGLEBOVA	AGANWANI

REVISION	
1	

UNLESS OTHERWISE SPECIFIED, DIMENSIONS ARE IN INCHES. DIMENSIONS IN [] ARE IN MILLIMETERS.	INTERPRET ALL DIMENSIONS AND TOLERANCES PER ASME Y14.5
TOLERANCES: .X = ±.2 [5] .XX = ±.02 [0.5] .XXX = ±.005 [0.13] ANGLES ± 1° CABLE LENGTH TOLERANCES: <12 [305] = +.1 [25] / -0 >12 [305] ≤ 60 [1524] = +.2 [51] / -0 >60 [1524] ≤ 120 [3048] = +.4 [102] / -0 >120 [3048] ≤ 300 [7620] = +.6 [152] / -0 >300 [7620] = +.5% / -0	SCALE: NONE SHEET: 1 OF 1

Website: www.Pasternack.com
Phone: 1.866.727.8376 | 1.949.261.1920

PE PASTERNAK
an INFINITI® brand

DESCRIPTION: 2.92 mm JACK 2 HOLE FLANGE WITH ROUND CONTACT 42 GHz VSWR1.2

ITEM NO. PE45924

CAGE CODE 53919 DRAWN BY KGLEBOVA

SIZE A

REVISION A

UNLESS OTHERWISE SPECIFIED, DIMENSIONS ARE IN INCHES. DIMENSIONS IN [] ARE IN MILLIMETERS.

ALL DIMENSIONS ARE FOR REFERENCE ONLY AND SUBJECT TO CHANGE WITHOUT NOTICE. UNDIMENSIONED/NON-CRITICAL FEATURES MAY VARY IN SIZE AND LOCATION. COLORS MAY VARY.

THE INFORMATION CONTAINED IN THIS DRAWING IS THE SOLE PROPERTY OF INFINITE ELECTRONICS, INC. ANY REPRODUCTION IN PART OR WHOLE WITHOUT THE WRITTEN PERMISSION OF INFINITE ELECTRONICS, INC. IS PROHIBITED. THESE COMMODITIES, TECHNOLOGY OR SOFTWARE WERE EXPORTED FROM THE UNITED STATES IN ACCORDANCE WITH THE EXPORT ADMINISTRATION REGULATIONS. DIVERSION CONTRARY TO U.S. LAW PROHIBITED.

TRev.02

© 2020 Pasternack Enterprises All Rights Reserved

PE45924 REV 1

1

2

3

4

5

6

F

E

D

C

B

A

1

2

3

4

5

6