



WR340 to DIN adapter 2.2~3.3 GHz

ADAWR340-DIN

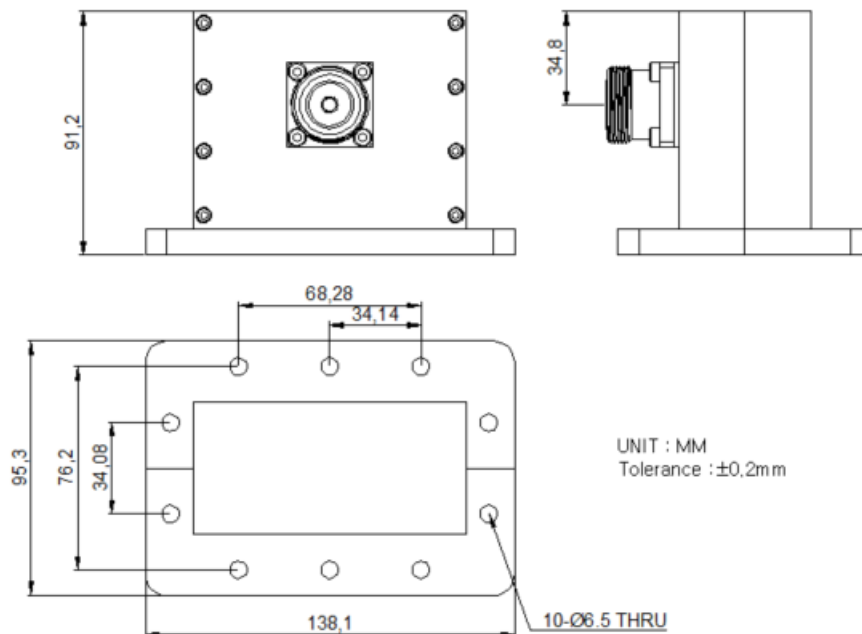
Features

- Low insertion loss
- Robust design for shock and vibration
- RoHS Compliant

Electrical Characteristics

Parameter	Units	Specifications
Frequency	GHz	2.2~3.3
Insertion Loss	dB Max.	0.25
VSWR	Max.	1.3 : 1 @2.2~3.3 1.2 : 1 @2.4~2.5
POWER CW	W	1500
Body Material	-	Aluminum
Connector type	-	DIN-Female
Waveguide type	-	WR340

Mechanical Dimensions



If you do not find appropriate frequency range, please contact with sales@admotech.com